

# THE DATALINE SERIES

## Signal Line Protector 5Vdc

### Features

- Compact design
- Easy installation

The Signal line range of surge protectors are ideal for the protection of low voltage signal lines on electronic equipment such as vacuum cleaner trigger signals.

These units have 150mm wire leads for easy installation.

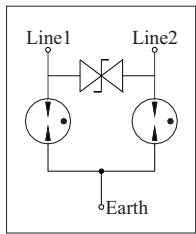


\*Specifications subject to change without prior notice due to continuous improvements

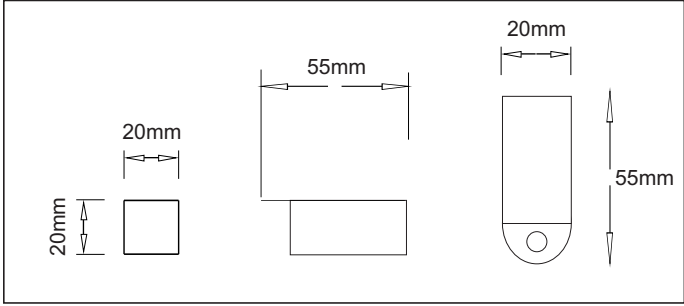
Specifications	
Power Surge Protection	
Nom. Voltage	5Vdc
Max. Operating Voltage	6Vdc
Max. Discharge Current (Differential Mode)	100A L-L (8/20us)
Max. Discharge Current (Common Mode)	10kA L-E (8/20us)
Residual Voltage	<10V
Response Time	<25ns
Connectors	Open wires

Other	
Indication	None
Temperature Range	-20°C to +70°C
Standard Compliance	IEC 61643-1
Lead Length	150mm
Dimensions	55x20x20mm
Weight	0.2kg

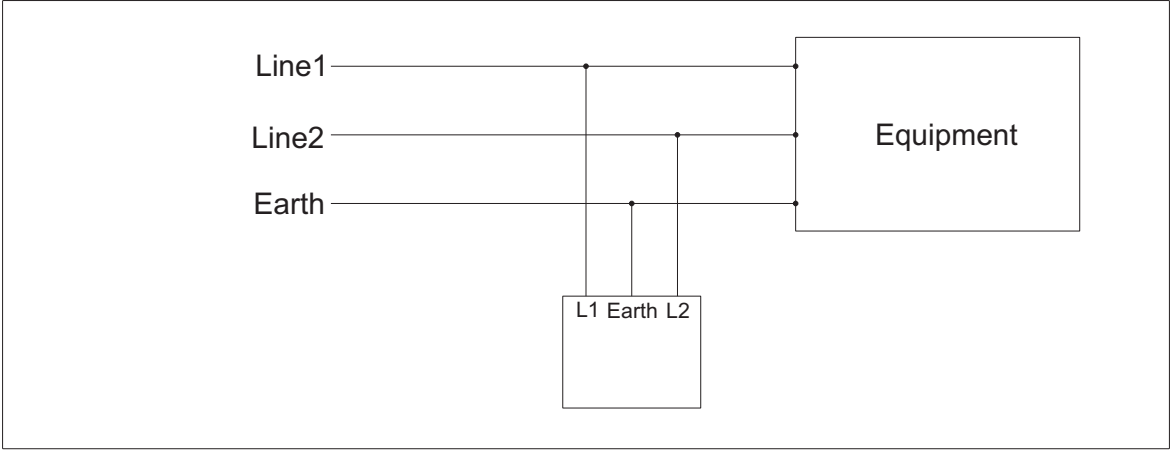
### Circuit



### Dimensions



### Typical Installation



**Designed and Manufactured by:**  
**Clearline Protection Systems (Pty) Ltd**  
 385 Roan Crescent Corporate Park North, Old Pta Road,  
 Midrand, South Africa  
 P.O. Box 5985, Halfway House, 1685  
 Tel: +27 (0) 11 848-1100  
 Fax: +27 (0) 11 314-3880  
 E-mail: info@clearline.co.za  
 www.clearline.co.za

